



START-UP

Set the power switch behind the light head to the ON position.
The system will go to the starting position, raised.

GATE OPERATION

To display a red light and lower the gate:

- Press the red button on the wireless key for a moment
- OR Press the wired pushbutton for a moment
- OPTION Keep the wired console switch down for a moment

To raise the gate and switch to the flashing yellow light:

- Press the yellow button on the wireless key for a moment
- OR Press the wired pushbutton for a moment
- OPTION Keep the wired console switch up for a moment

PAIRING A WIRELESS KEY

- The AFAD is automatically paired with one wireless key, the first detected. To use another wireless key, turn the power switch OFF, then ON. Operate once to confirm.

NOTES

- To avoid unintended operations, hold a button for at least half a second to execute an action.



UG-FBS12-R1



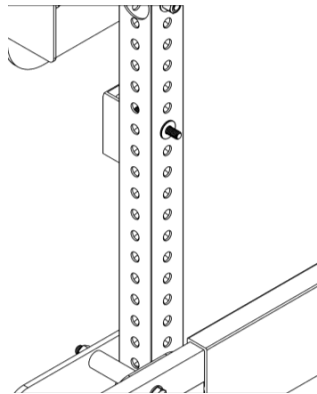
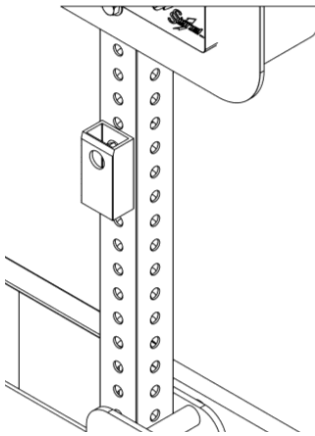
CHANGING TO THE OPTIONAL WIRED CONSOLE

Mount the clip support :

- Screw the support to the threaded insert pre-mounted to the post

Replacement :

- Locate the connection to the console that is identified in yellow
- Unplug the wired pushbutton and plug in the wired console



Manuals



Tech Support