

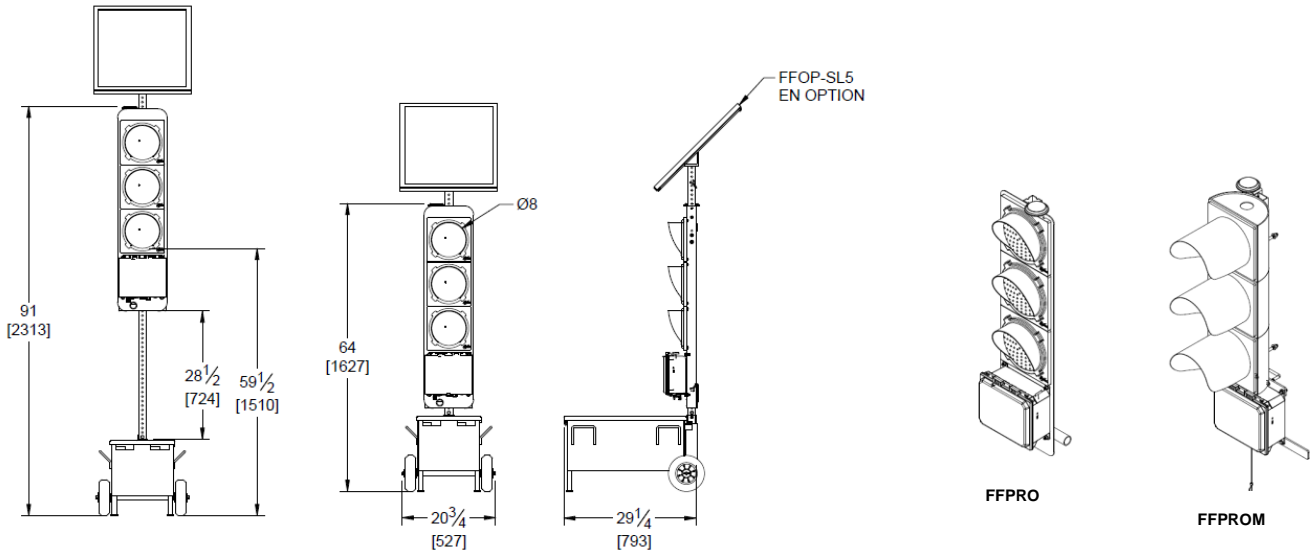


Product Code: **FFPRO**
 Product Name: FLEX PRO Lights Three Colour

Created: 31/10/2023 By: E. Gauthier
 Revised: 08/05/2024 By: JA Roche

Technical Specification

Comments :




Electrical Features

- Synchronization maintained by radio communication or precision clock.
- Traffic light placed up to 3,000m in line of sight, no obstacles, or interferences.
- Traffic lights uses three LED lights:
 - Red, yellow, and green
 - Red and yellow left-right directional arrows
- Three-digit countdown on the red light.
- Display intensity adjusted to ambient light.
- Control by Wi-Fi communication, via tablet or phone, Android or iOS
- Up 6 lights can be configured.
 - Alternating: 2 to 4 lights
 - Road/Crossroads: 3 to 4 lights
 - Directional: 2 three colour lights and 1 to 4 directional lights
 - Sequential mode: 1 to 4 lights, communication made by operator on site.
 - Flashing
- Power supply with deep cycle battery 12VDC-120Ah
 - 10 days battery life, according to attributes

Mechanical Features

- Traffic lights provided in aluminum of choice:
 - Thin, molded with integral visor.
 - Commercial, with replaceable visor
- 8po (200mm) lamps with wide viewing angle.
- Telescopic pole on locked battery box, transportable on two wheels
- Box made of steel and painted orange.
- Dimensions
 - Height in use: 91" (2313 mm)
 - Height for transport: 64" (1627 mm)
 - Width: 20 3/4" (527 mm)
 - Length: 31 1/4" (793 mm)
- Weight: 102lbs (46kg), Light and pole

	Product Code: FFPRO	
	Product Name: FLEX PRO Lights Three Colour	
	Created: 31/10/2023	By: E. Gauthier
	Revised: 08/05/2024	By: JA Roche
Technical Specification	Comments :	

Programming Features

- Time cycles adjusted according to traffic lights distance and traffic volume.
- Assignment of time cycle adjustable for each traffic light on circuit.
- Up to 12 time-scheduled phase per day, five to seven days per week.
- Wi-Fi control for
 - Reading battery levels
 - Switching to roadblock mode
 - Activating Standby
 - Maintenance diagnostics
- Optional, control by modem
 - No restriction on work zone distance
 - Remote monitoring and reconfiguration
- Flashing red display on error condition.

Reference Products and Options

Code	Description
<i>Products</i>	
FFPRO-KIT	Kit of two portable traffic lights
FFPRO-FEU	Single portable traffic light with battery box
FFPRO-FEUM	Portable traffic light on multi-use pole
CGETAB	Touch Pad controller for traffic lights, tablet Android
FFPRO-DIR	Portable directional traffic lights
FFPRO-DIRM	Directional traffic lights on multi-use pole
RSS44	Battery box (supplied for -FEU products)
RSS60	Multi-use trailer
PS2001	Battery 12V / 140Ah
PS2046	Deep cycle battery 12V / 250 Ah
<i>Options</i>	
FFOP-CHG	Option Battery charger for traffic lights, 12A
FFOP-MOD	Option Modem, FLEX PRO lights
FFOP-RAD	Option Radar, FLEX PRO lights adaptive
FFOP-RBL	Option Balloon wheel for construction lights
FFOP-SIB	Option Battery charge indicator
FFOP-SL3	Solar option 30W on multi-use pole
FFOP-SL5	Solar option 50W on multi-use pole
FFOP-SL1	Solar option 100W on multi-use pole